

51BM0.25/SIP-EJ440-E3-X2

Description: Thin model **Alpha** SiPM Scintillation detector with built in temperature compensated bias generator and preamplifier

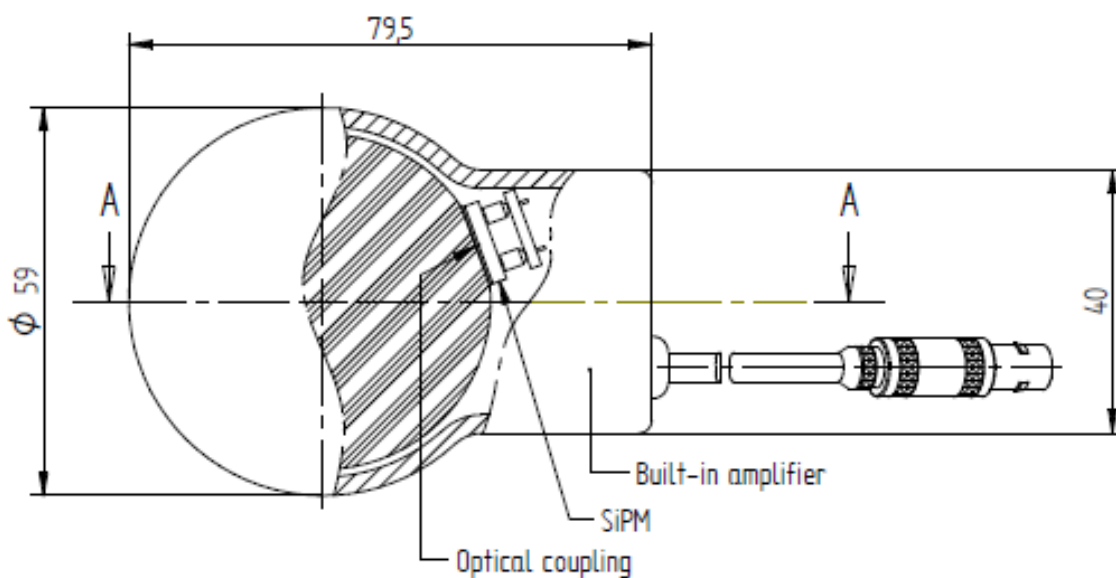
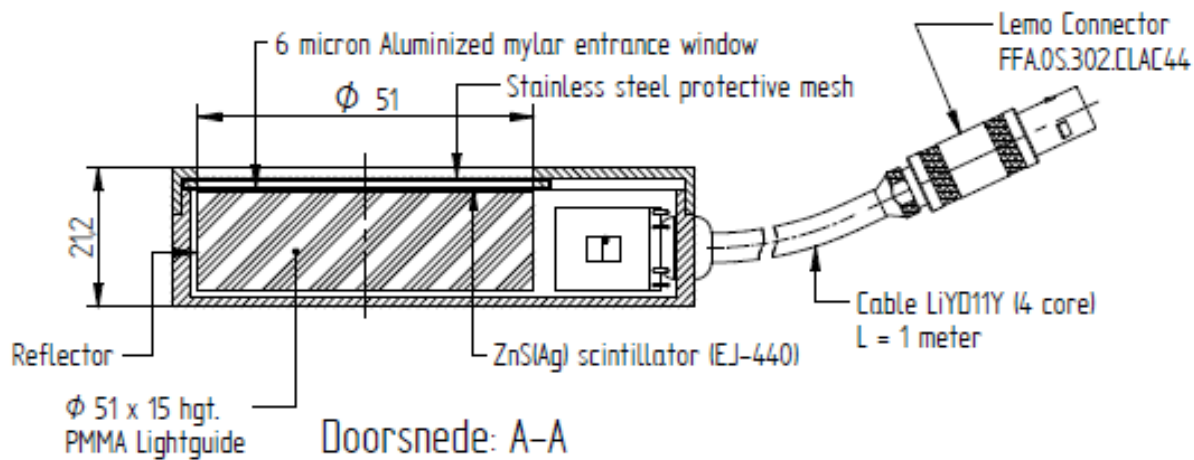
Scintillation material	:	ZnS(Ag scintillator Ø51 x 0.25mm (EJ-440)
Drawing number	:	V-1611-10
Crystal read out	:	SiPm, Array J-60035-4P
Housing	:	black light tight polyester
Entrance window	:	light-tight double aluminized mylar 0.9 mg/cm ²
Protection	:	72 % transmission stainless steel grid
Power supply	:	+ 5 – 16 V (3 mA)
Electrical connections	:	LEMO connector FFA0S302CLAC44 Flying leads Pin 1 = +5 – 16 V (brown) Pin 2 = Signal (white)
Cable	:	100 cm 4 core shielded LIYD11Y



Performance

Pulse rise time (0-100%)	:	1µs (alphas)
Pulse fall time (1/e)	:	3µs (alphas)
Gain	:	Approx. 500mV /5.48 MeV (alphas)





Last revision: 27-06-2022
 Revision number: 2
 Document : 51BM0.25_SIP-E3-EJ440-X2

Scionix Holland B.V.
 Regulierenring 5
 3981 LA Bunnik
 The Netherlands

Tel: + 31 30 657 03 12
 Fax: +31 30 656 75 63
 Website: www.scionix.nl
 E-mail: sales@scionix.nl