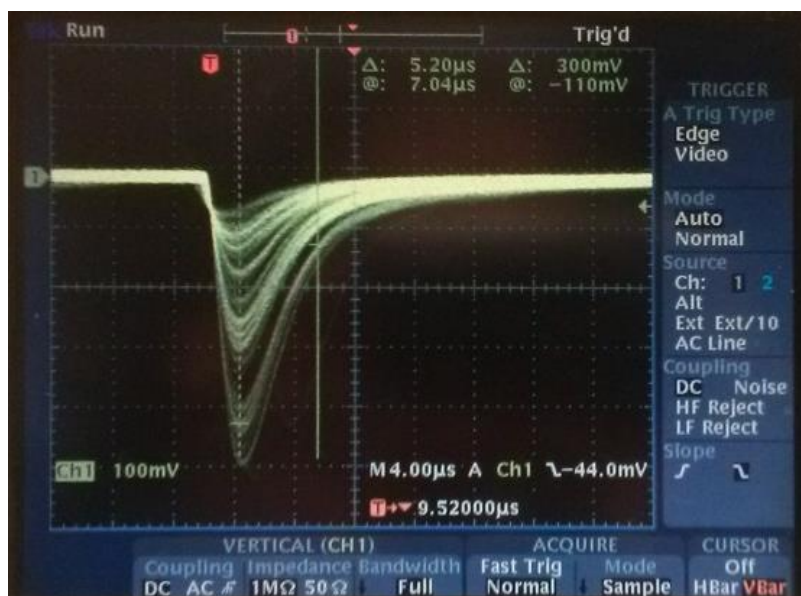
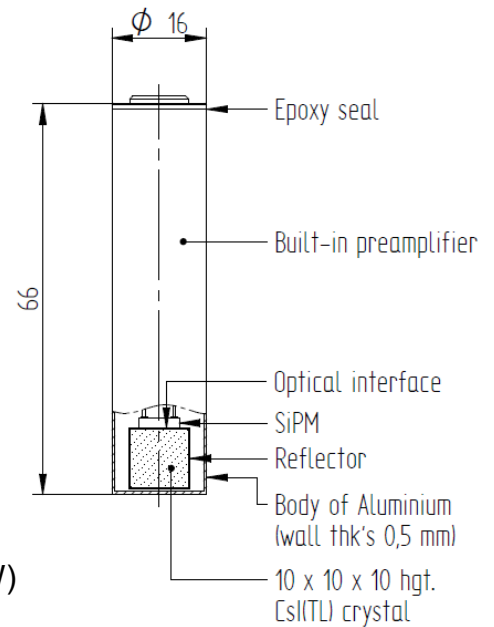
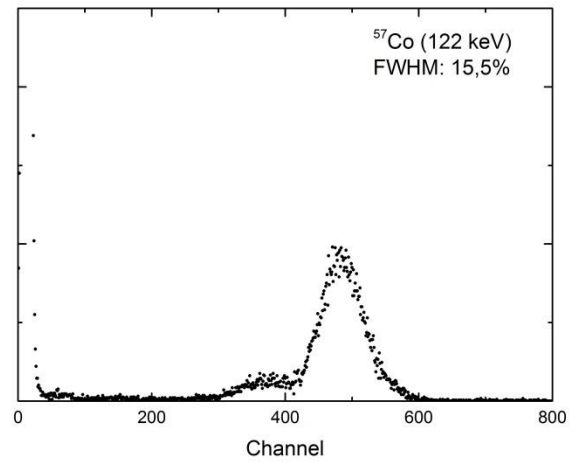
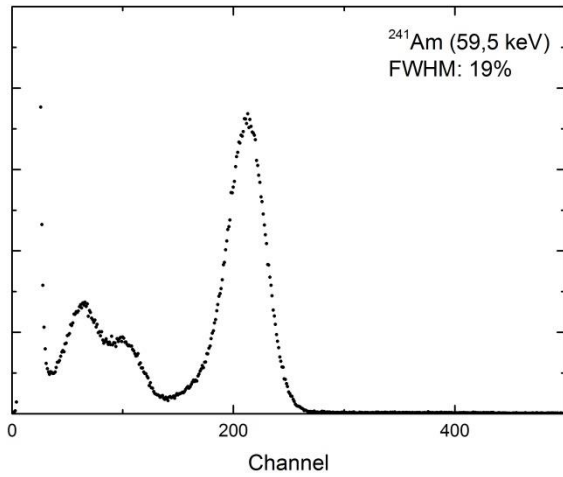


Subject: V10B10/SIP-E3-CS-X

Description: Miniature CsI(Tl) SiPM scintillation detector with built-in temperature compensated bias generator and preamplifier

-
- Scintillation material** : CsI(Tl)
 - Drawing number** : VS-1421
 - Crystal read out** : 6x6 mm² SiPM
 - Power supply** : 5.2 – 16 V (25 mW)
 - Test bias voltage** : 24.8 V, generated by internal power supply
 - Electrical connections** : LEMO ERA.0S.302.CLL
 - Pin 1 : power supply 5.2 – 16 V
 - Pin 2 : signal
 - Mass : common ground
 - Output impedance** : 50 Ω
 - Pulse rise time** : 2.2 μs (0-100%)
 - Pulse fall time** : 5 μs





Examples of Pulse height spectra

Gain : - 630 mV / MeV (can be adjusted on request)

Energy resolution : 59.5 keV < 20 %
 122 keV < 16 %
 662 keV < 8 %

SiPm gain drift correction : Built-in



Scionix Holland B.V.
 P.O. Box 143
 3980 CC **Bunnik**
 The Netherlands

Tel: + 31 30 657 03 12
 Fax: +31 30 656 75 63
 Website: www.scionix.nl
 E-mail: sales@scionix.nl