

## 5" x 3" x 16" scintillation detector for low background applications

Model: R76\*127 AS 406 / 3 M

### Features:

- 4 liter (14.4 kg) NaI(Tl) scintillation crystal
- Low radiological background due to stainless steel housing
- Low background, low noise PMT
- 4 pins connector for coupling to digital base

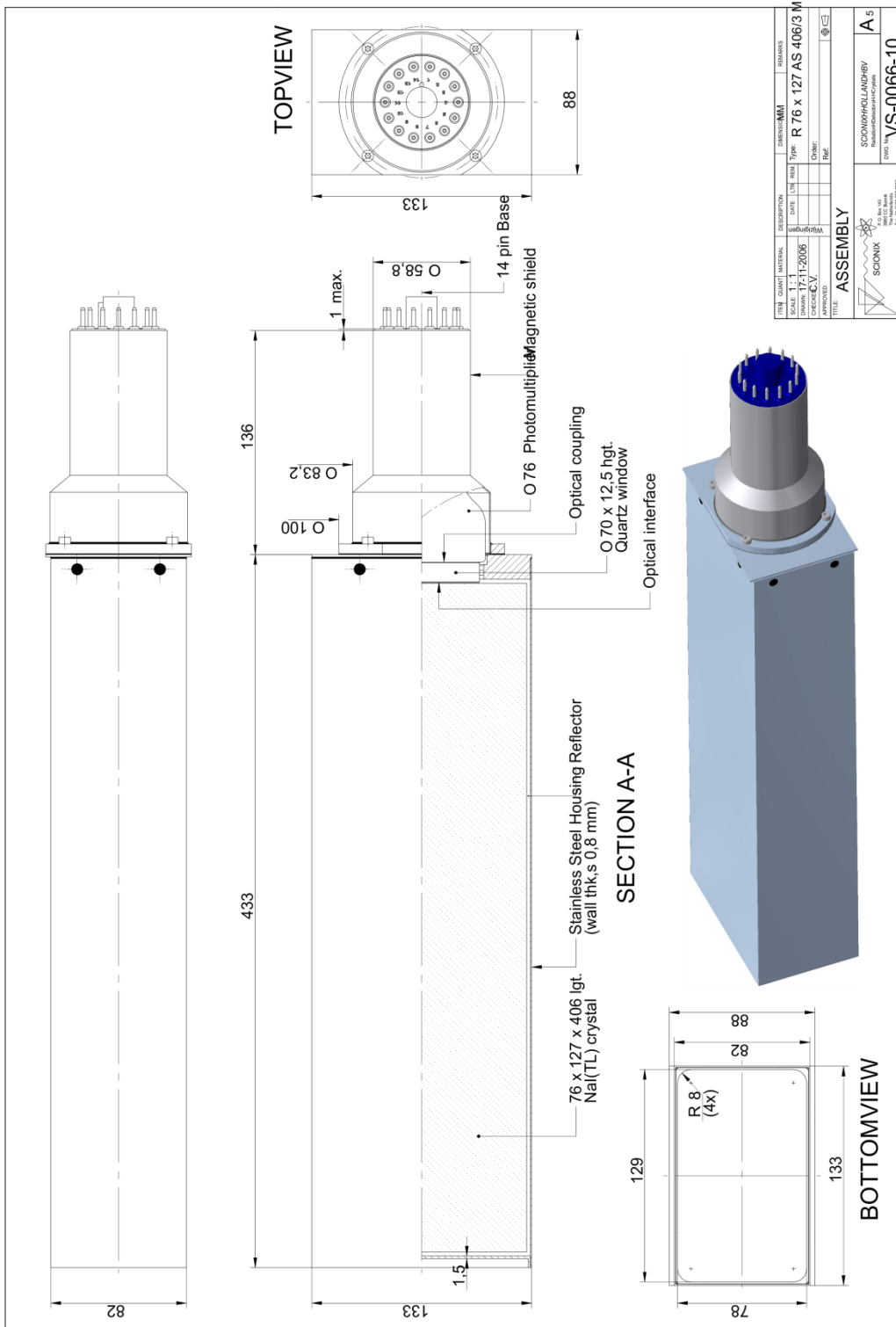
### Description:

This large volume scintillation detector provides the optimum efficiency / energy resolution ratio and is ideally suited for environmental monitoring. The housing is made of 0.8 mm stainless steel.

### Specifications

<b>Drawing</b>	: VS-066-10
<b>Scintillation crystal</b>	: NaI(Tl) 76 x 127 x 406 mm
<b>Photomultiplier tube</b>	: 76 mm diameter ETL 9305 or eq.
<b>Maximum dimensions</b>	: 133 x 82 x 569 mm long (up to 14 pins connector)
<b>Connectors</b>	: Standard 14 pins
<b>Typical high voltage</b>	: +600 to + 900 V
<b>High voltage polarity</b>	: Positive
<b>Temperature range</b>	: -20 to +65 degrees C
<b>Temperature gradient</b>	: Max 10 degrees per hour
<b>Energy resolution</b>	: < 8.5% FWHM sideways halfway at 30 cm off-axis





**Scionix Holland B.V.**  
P.O. Box 143  
3980 CC Bunnik  
The Netherlands

**Tel: + 31 30 657 03 12**  
**Fax: +31 30 656 75 63**  
**Website: www.scionix.nl**  
**E-mail: sales@scionix.nl**