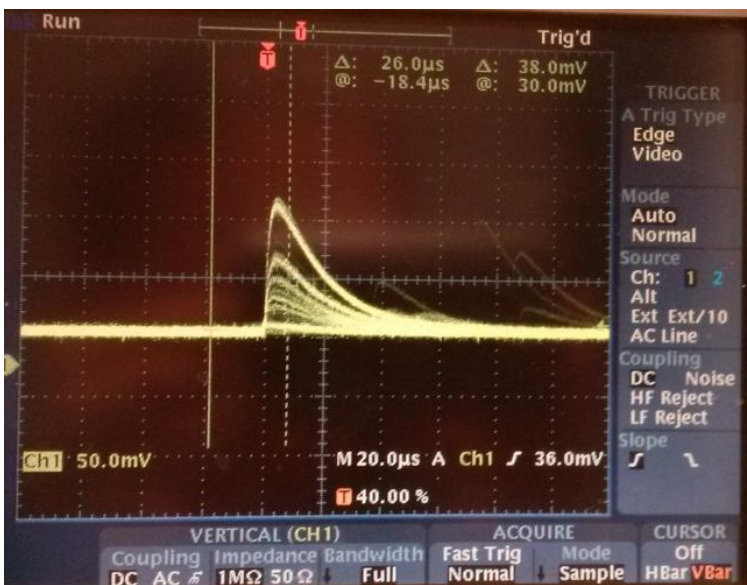
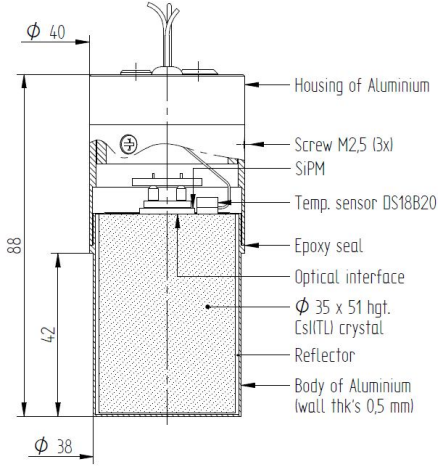


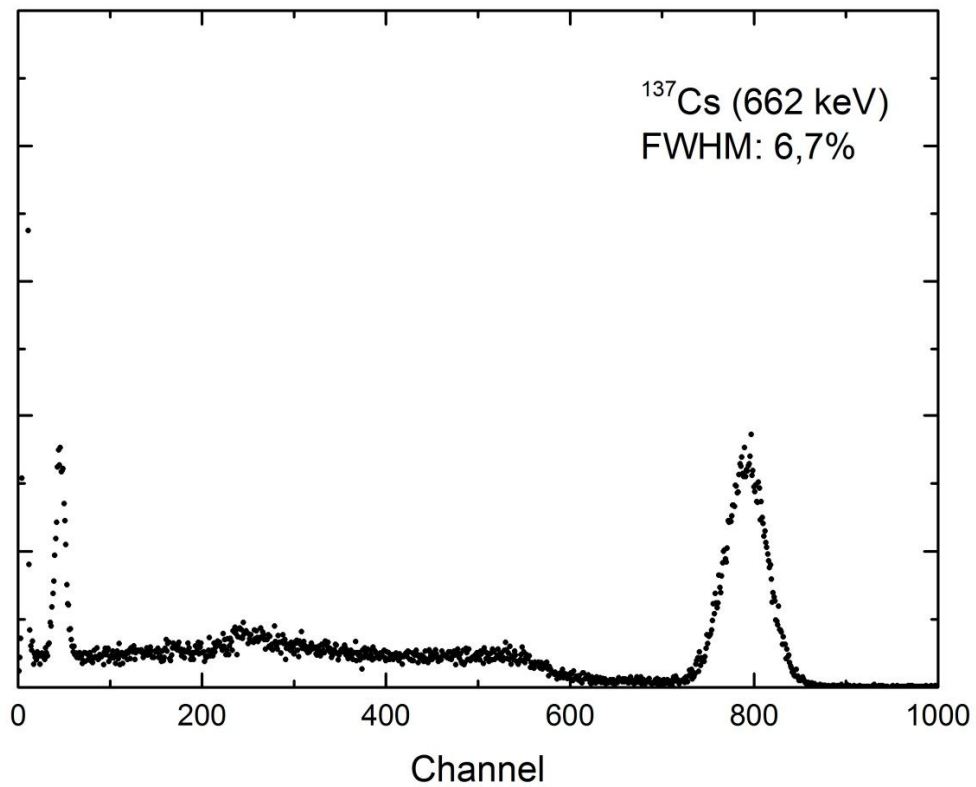
**Subject:** 35B51/SIP-Es-Cs-T-X  
**Description:** CsI(Tl) / SiPM scintillation detector

- Scintillation material** : CsI(Tl)
- Drawing number** : VS-1383-50
- Crystal read out** : 12x12 mm<sup>2</sup> SiPM
- Power supply** : 25-30 V. **Do not exceed 30.5 V!**
- Test bias voltage** : 27.5 V
- Electrical connections** : LEMO ERA.0S.250.CTL (Bias)  
LEMO ERA.00.250.CTL (Signal)  
Grounding provided via mass of connector
- Load resistance** : 1 kΩ
- Pulse rise time** : 3.5 μs (0-100%, 1 kΩ)  
600 ns (0-100%, 50 Ω)
- Pulse fall time** : 25 μs (0-100%, 1 kΩ)  
2 μs (0-100%, 50 Ω)



Example of Pulse height

spectrum



Gain : + 170 mV / MeV

Energy resolution : 662 keV < 7.5 %



**Scionix Holland B.V.**  
P.O. Box 143  
3980 CC **Bunnik**  
The Netherlands

Tel: + 31 30 657 03 12  
Fax: +31 30 656 75 63  
Website: [www.scionix.nl](http://www.scionix.nl)  
E-mail: [sales@scionix.nl](mailto:sales@scionix.nl)